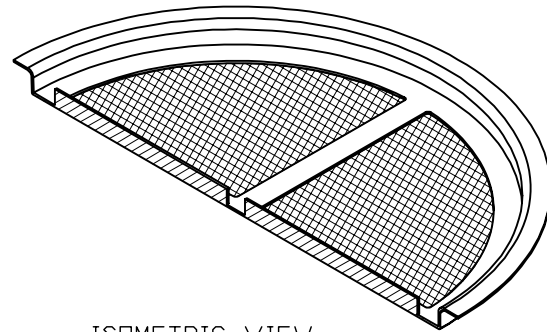
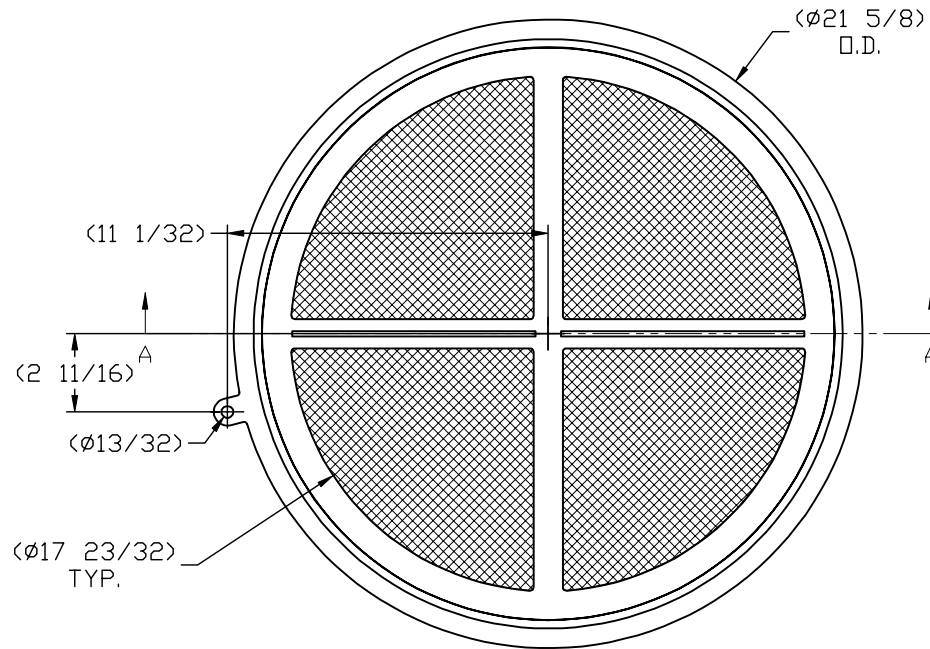
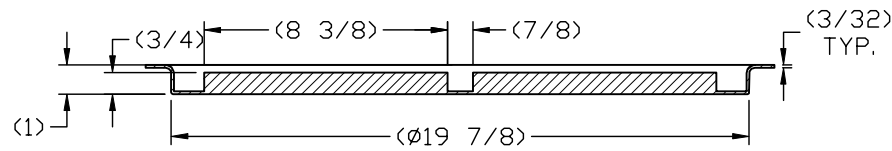


PROTOTYPE PROTOTYPE



ISOMETRIC VIEW

PROTOTYPE PROTOTYPE



SECTION A-A

NOTE:  
KLEAN SEAL FITS IN 20" RING  
OR OVER 18" RING.

UNLESS OTHERWISE SPECIFIED DIMENSIONAL TOLERANCES		A CHL 9-22-00 CHANGED FILTER NOTE & UPDATED TO NEW STANDARDS	
FRACTIONAL	±1/16	REV. BY	DATE
X.XX	±0.03	DESCRIPTION	
X.XXX	±0.015	<b>SALCO PRODUCTS, INC.</b>	
ANGULAR	±1°		
THIS DRAWING IS THE PROPERTY OF SALCO PRODUCTS, INC. IT CONTAINS PROPRIETARY INFORMATION AND MUST NOT BE COPIED, REPRODUCED, OR USED IN WHOLE OR IN PART WITHOUT THE WRITTEN PERMISSION OF SALCO PRODUCTS, INC.		DRAWN BY: BRW   CHKD BY:   SCALE: 1:2   APPROVAL DATE:	
THIRD ANGLE PROJECTION		MATERIAL: HDPE PART NAME: 20" KLEAN SEAL WITH RAISED RIB	
		PROJECT #: DRAWING # D7348	PROTOTYPE (AND DATE): PART # HKS20FS APPROVED FOR PRODUCTION: BRW